

POWER AMPLIFIER

KAC-8402/8452

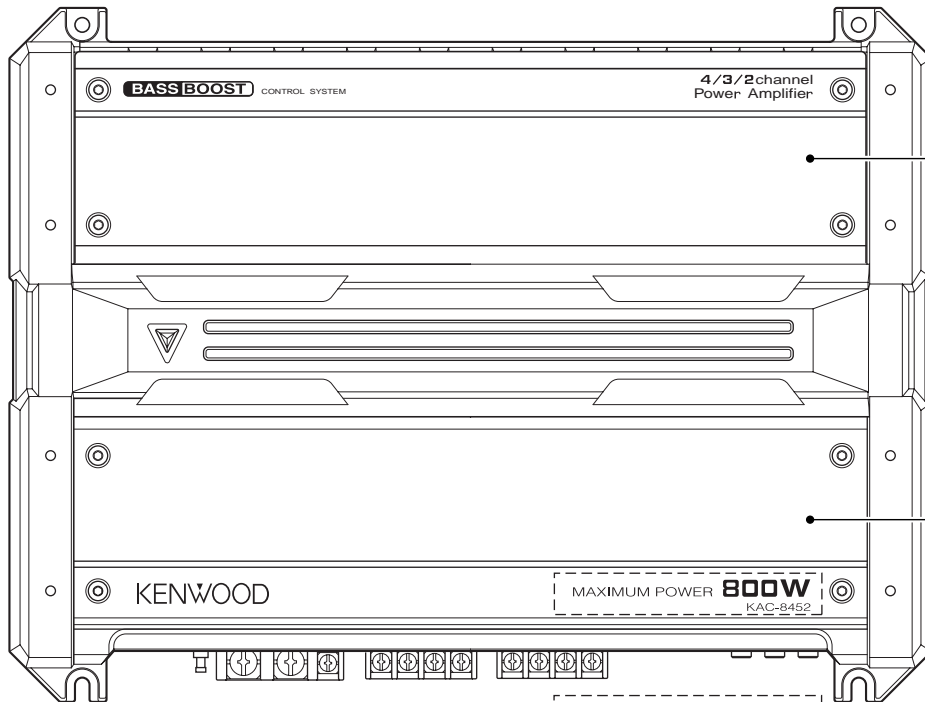
SERVICE MANUAL

KENWOOD

Kenwood Corporation

© 2005-3 PRINTED IN JAPAN
B53-0250-00 (N) 1708

KAC-8452
(E type, M type)

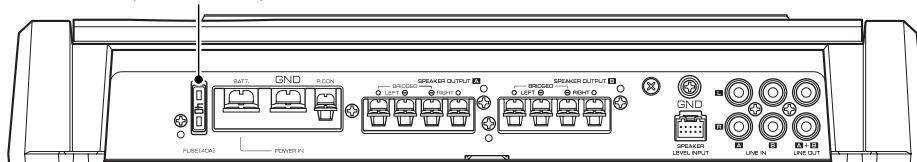


Dressing Panel
(A21-4464-02)

Dressing Panel
(A21-4469-02)
: KAC-8452(K type)
(A21-4470-02)
: KAC-8402
(A21-4524-02)
: KAC-8452(E type),
KAC-8452(M type)

--- KAC-8452 --- KAC-8452 (K type)
 --- KAC-8402 --- KAC-8402

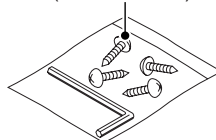
Fuse (40A)
(F52-0016-05)



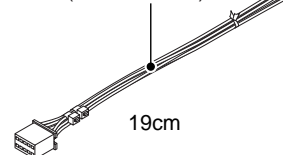
Accessories
(W01-1606-05)



Screw set
(N99-1759-05)



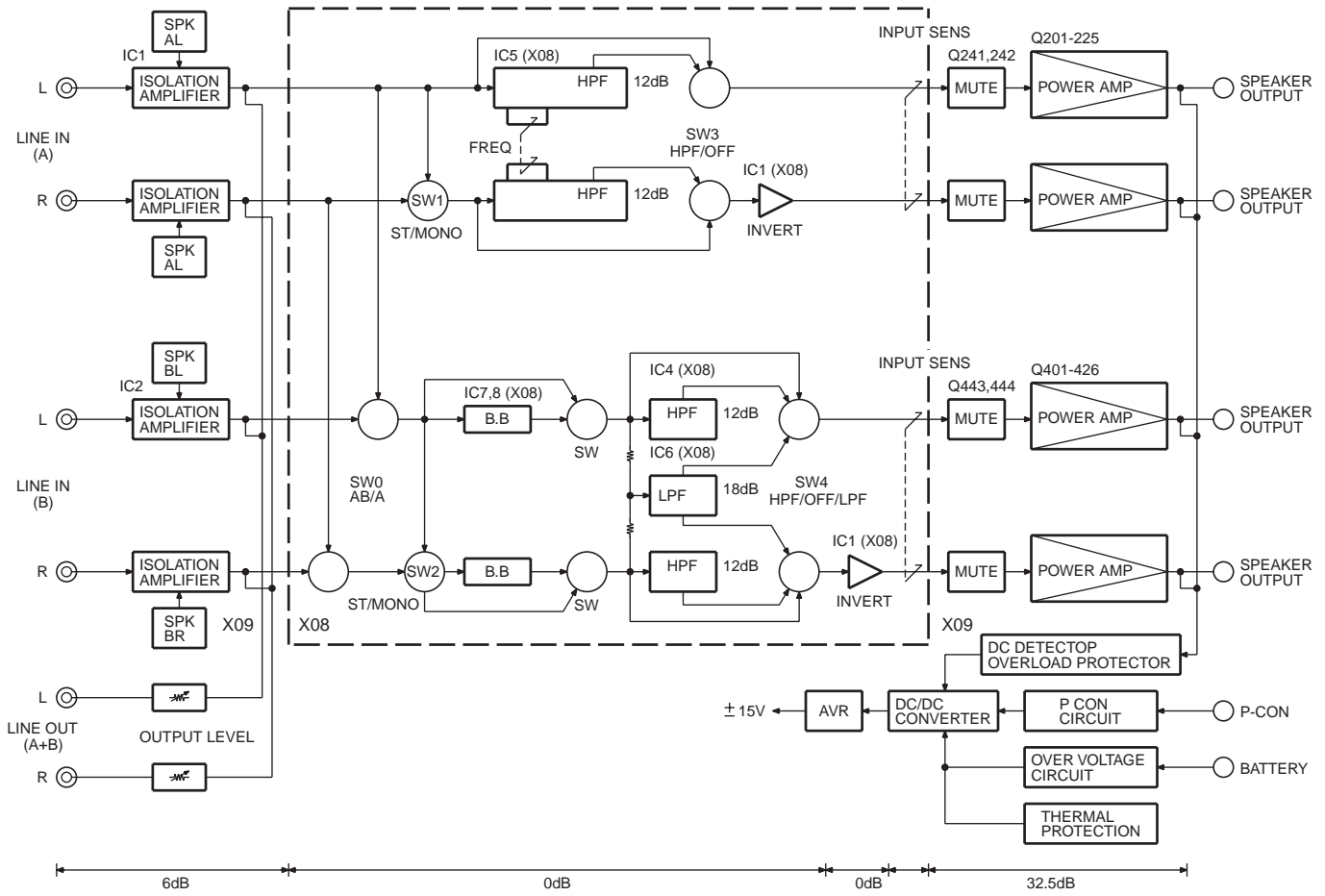
Connecting cord assy
(E30-6144-05)



19cm

KAC-8402/8452

BLOCK DIAGRAM



COMPONENTS DESCRIPTION

● PREAMPLIFIER UNIT (X08-4200-10)

Ref. No.	Application / Function
IC1 (2/2)	ARch reversal buffer
IC1 (1/2)	BRch reversal buffer
IC4	Bch HPF
IC5	Ach HPF
IC6	Bch LPF
IC7,8	Bch Bass boost filter

● AUDIO UNIT (X09-5840-1x)

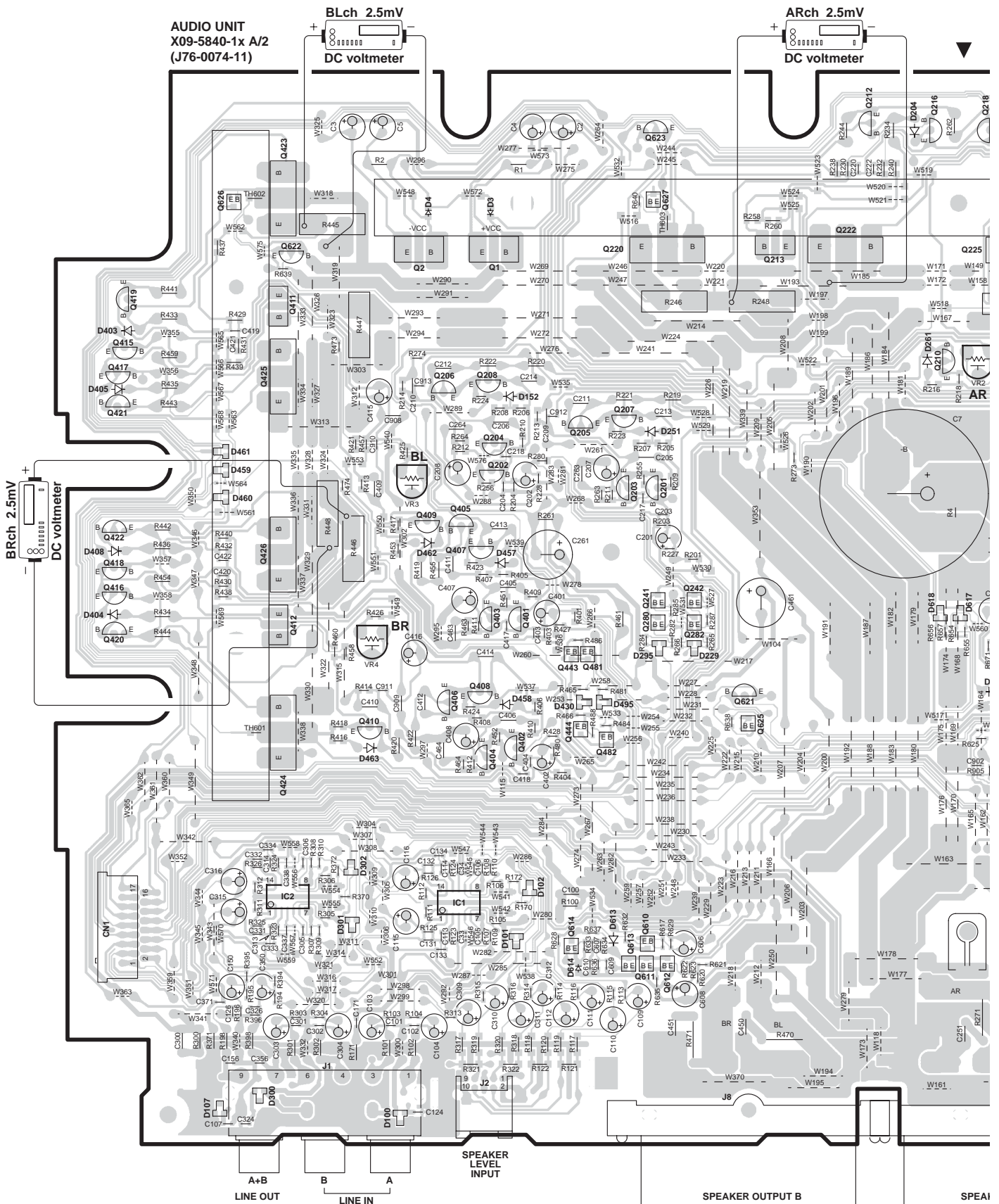
Ref. No.	Application / Function
IC1,2	Input isolation amp
IC4	Switching regulator controller
IC6	For temperature protection and -3dB attenuator comparators
Q1	For +15.6V AVR
Q2	For -15.6V AVR
Q3~8	DC/DC converter FET
Q9~12	For FET driving
Q13,14	FET drive low start SW
Q201~210	For ACH voltage amplifying step differential amplifying
Q211	For temperature compensation bias
Q212	For ACH voltage amplifying step differential amplifying
Q213	For temperature compensation bias
Q214~219	For ACH voltage amplifying step differential amplifying

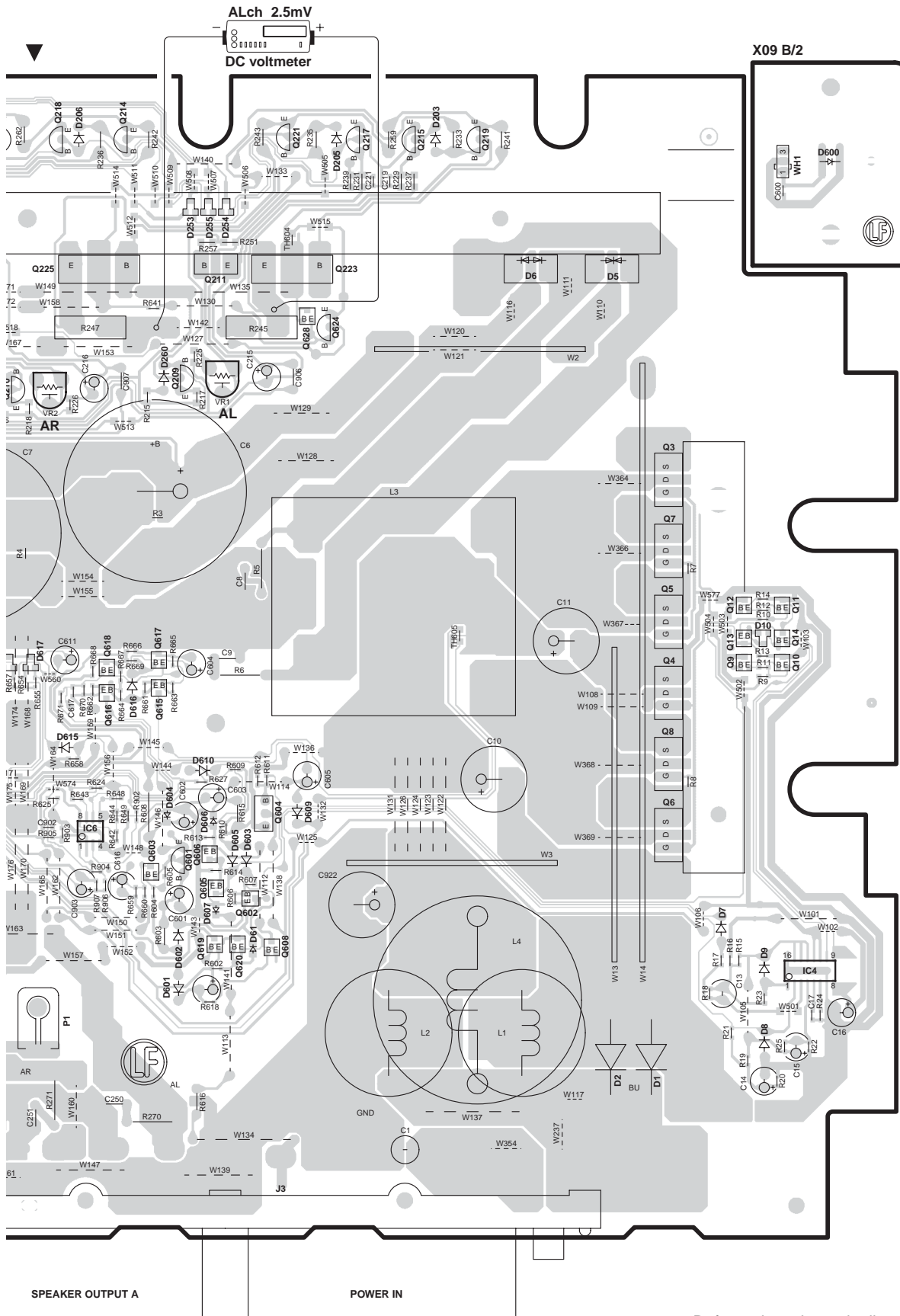
Ref. No.	Application / Function
Q220	For ACH final current amplifying
Q221	For ACH voltage amplifying step differential amplifying
Q222,223	For ACH final current amplifying
Q225	For ACH final current amplifying
Q241,242	Mute
Q280	-3dB Attenuator circuit
Q282	-3dB Attenuator circuit
Q401~410	For BCH voltage amplifying step differential amplifying
Q411,412	For temperature compensation bias
Q415~422	For BCH voltage amplifying step differential amplifying
Q423~426	For BCH final current amplifying
Q443,444	Mute
Q481,482	-3dB Attenuator circuit
Q601	For shock noise prevention
Q602	P-CON ON/OFF processing
Q603	Mute driver
Q604	+B SW
Q605	P-CON ON/OFF processing
Q606	For BU excess voltage detection
Q610	For excess current detection and excess current protection
Q611~614	For output DC abnormal voltage detection
Q615~618	For shock noise prevention
Q619,620	Logo LED power supply
Q621~628	For temperature detection

ADJUSTMENT

No.	ITEM	ALIGNMENT POINT	METHOD	ALIGN FOR	NOTE
1	IDLE CURRENT	VR1 (ALch) VR2 (ARch) VR3 (BLch) VR4 (BRch)	Connect a DC voltmeter between check land (Refer to PC BOARD)	2.5mV	After Power on 5 minutes

KAC-8402/8452 PC BOARD (FOIL SIDE VIEW)





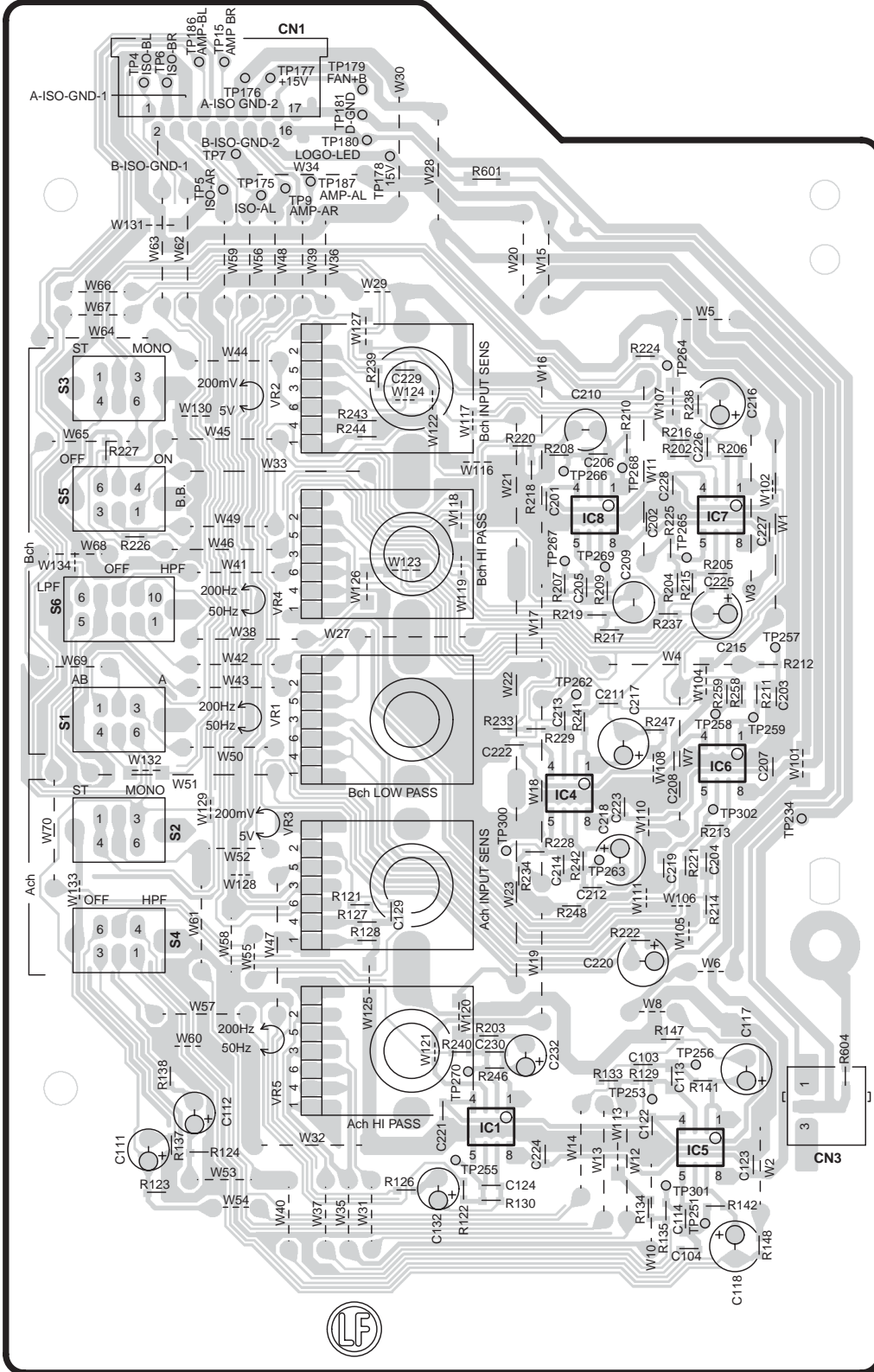
X09-5840-1x

Ref. No.	Address	Ref. No.	Address
IC1	5C	Q405	4C
IC2	5B	Q406	5C
IC4	5I	Q407	4C
IC6	5F	Q408	4C
Q1	2C	Q409	4C
Q2	2C	Q410	5C
Q3	3H	Q411	3B
Q4	4H	Q412	4B
Q5	4H	Q415	3A
Q6	5H	Q416	4A
Q7	4H	Q417	3A
Q8	4H	Q418	4A
Q9	4I	Q419	3A
Q10	4I	Q420	4A
Q11	4I	Q421	3A
Q12	4I	Q422	4A
Q13	4I	Q423	2B
Q14	4I	Q424	5B
Q201	4D	Q425	3B
Q202	3C	Q426	4B
Q203	4D	Q443	4C
Q204	3C	Q444	5C
Q205	3D	Q481	4D
Q206	3C	Q482	5D
Q207	3D	Q601	5F
Q208	3C	Q602	5G
Q209	3F	Q603	5F
Q210	3E	Q604	5G
Q211	2F	Q605	5F
Q212	2E	Q606	5F
Q213	2D	Q608	5G
Q214	2F	Q610	6D
Q215	2G	Q611	6D
Q216	2E	Q612	6D
Q217	2G	Q613	6D
Q218	2F	Q614	6C
Q219	2H	Q615	4F
Q220	2D	Q616	4F
Q221	2G	Q617	4F
Q222	2E	Q618	4F
Q223	2G	Q619	5F
Q241	4D	Q621	5D
Q242	4D	Q622	2B
Q280	4D	Q623	2D
Q282	4D	Q624	3G
Q401	4C	Q625	5D
Q402	5C	Q626	2B
Q403	4C	Q627	2D
Q404	5C	Q628	3G

Refer to the schematic diagram for the values of resistors and capacitors.

KAC-8402/8452 PC BOARD (FOIL SIDE VIEW)

PREAMPLIFIER UNIT X08-4200-10 (J76-0070-02)



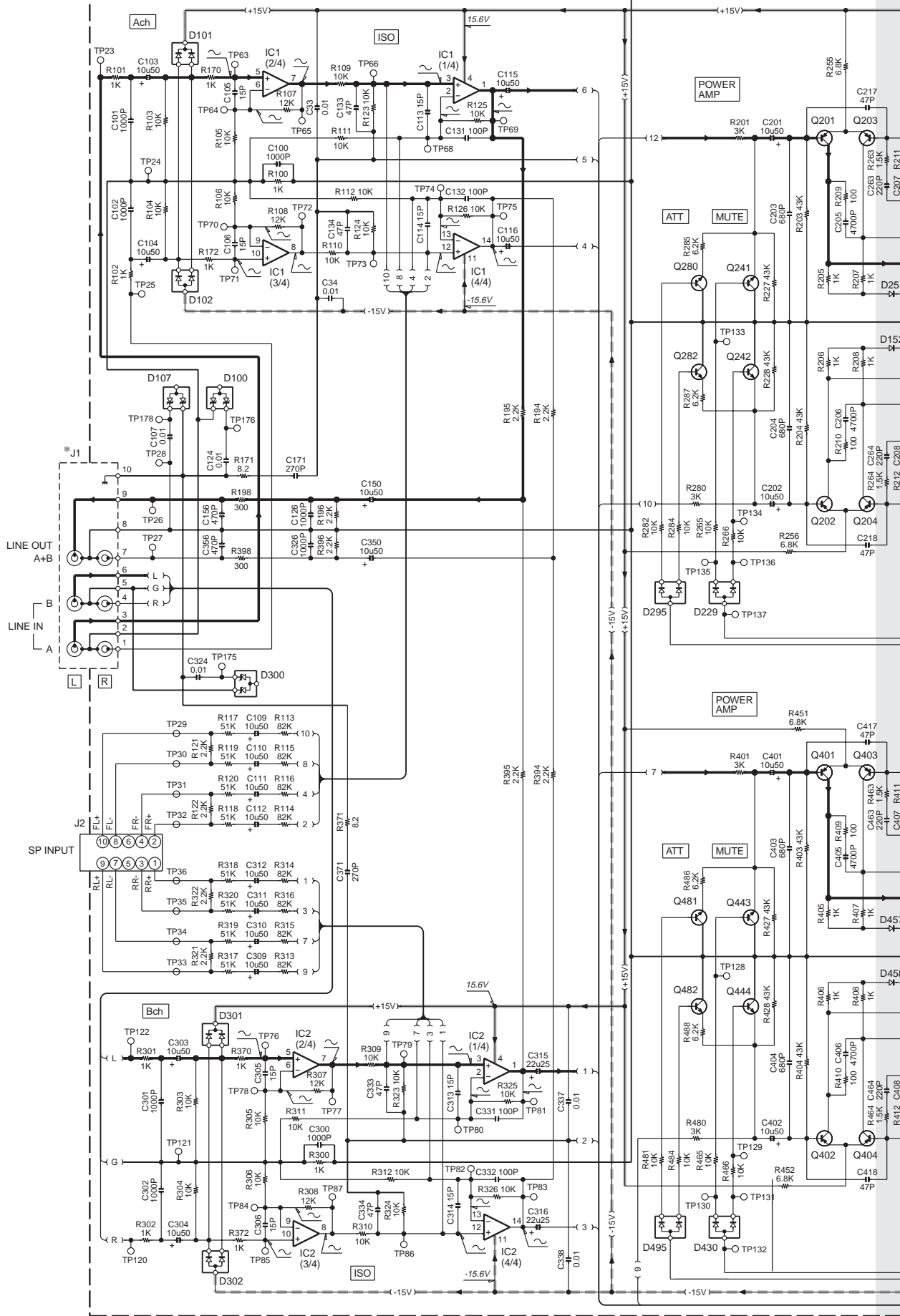
X08-4200-10

Ref. No.	Address
IC1	6M
IC4	4M
IC5	6N
IC6	4N
IC7	3N
IC8	3M

Refer to the schematic diagram for the values of resistors and capacitors.

KAC-8402/8452

(X09-5840-xx) (A/2)



1

2

3

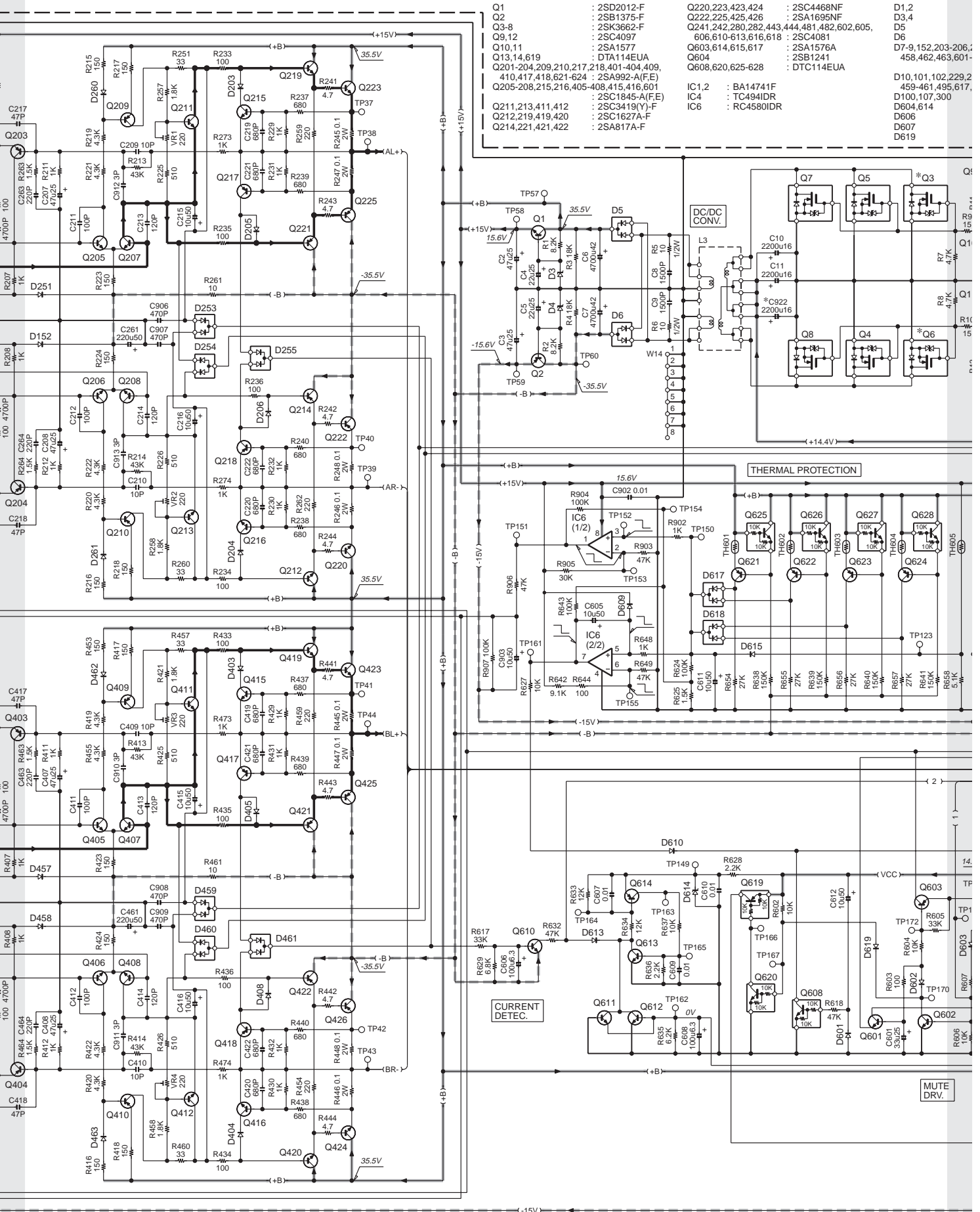
4

5

6

7

KAC-8402/8452



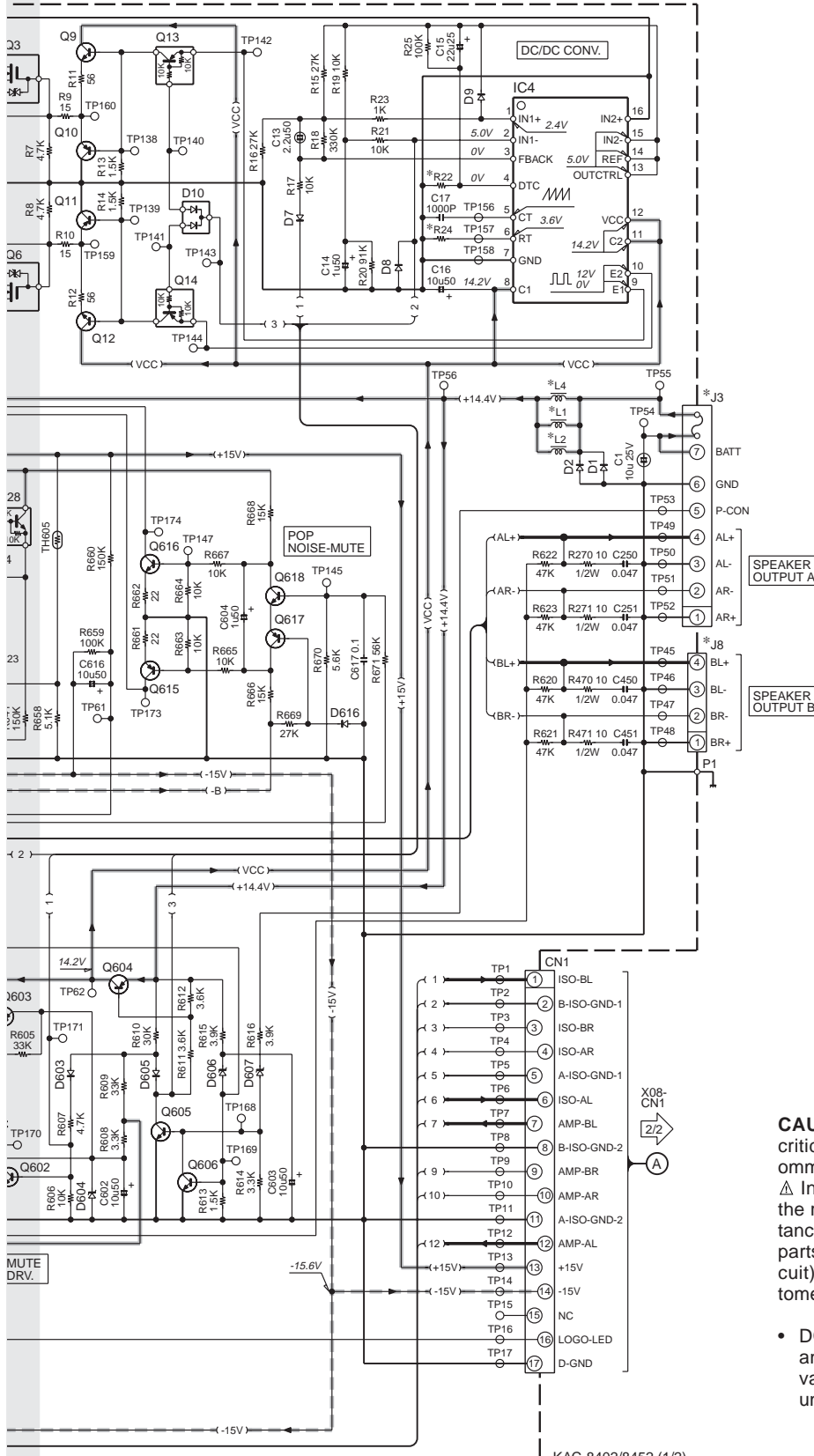
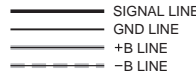
Q1	: 2SD2012-F	Q220,223,423,424	: 2SC4468NF	D1,2
Q2	: 2SB1375-F	Q222,225,425,426	: 2SA1695NF	D3,4
Q3-8	: 2SK3662-F	Q241,242,280,282,443,444,481,482,602,605,		D5
Q9,12	: 2SC4097	606,610-613,616,618	: 2SC4081	D6
Q10,11	: 2SA1577	Q603,614,615,617	: 2SA1576A	D7-9,152,203-206,1
Q13,14,619	: DTA114EUA	Q604	: 2SB1241	458,462,463,601-
Q201-204,209,210,217,218,401-404,409,		Q608,620,625-628	: DTC114EUA	
410,417,418,621-624	: 2SA992-A(F,E)			D10,101,102,229,2
Q205-208,215,216,405-408,415,416,601		IC1,2	: BA14741F	459-461,495,617,
		IC4	: TC494IDR	D100,107,300
Q211,213,411,412	: 2SC1845-A(F,E)	IC6	: RC4580IDR	D604,614
Q212,219,419,420	: 2SC3419(Y)-F			D606
Q214,221,421,422	: 2SC1627A-F			D607
				D619

KAC-8402/8452

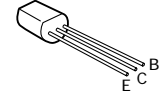
: RM4ZLF-J1NF
 : 02DZ16F-Y
 : FCH10A20
 : FRH10A20
 32, 203, 206, 251, 260, 261, 403, 405, 408, 457,
 62, 463, 601-603, 605, 609, 610, 613, 615, 616
 : 1SS133
 1, 102, 229, 253-255, 295, 301, 302, 430,
 61, 495, 617, 618 : LM1MA142WK-G
 07, 300 : UMZ6.8N
 14 : 02DZ10F-Y
 : 02DZ15F-Y
 : 02DZ6.8F-Y
 : 1SS355

(X09-5840-xx)

MODEL NAME	UNIT No.	C922	J1	J3	J8	L1, 2	L4	Q3, 6	R22	R24
KAC-8452(J)										
KAC-8452(K)	0-10	YES	E63-0922-05	E40-0838-05	E40-0840-05	NO	YES	YES	6.8K	16K
KAC-8452(M)										
KAC-8452(E)										
KAC-8402(K)	0-11	NO	E63-0927-05	E70-0843-05	E40-0844-05	YES	NO	NO	10K	15K



2SA817A-F
 2SA992-A
 2SC1627A-F
 2SC1845-A



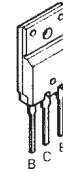
2SA1576A



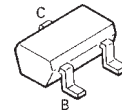
2SC3419



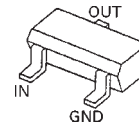
2SB1375-F
 2SD2012-F



2SC4081



DTA114EUA
 DTC114EUA

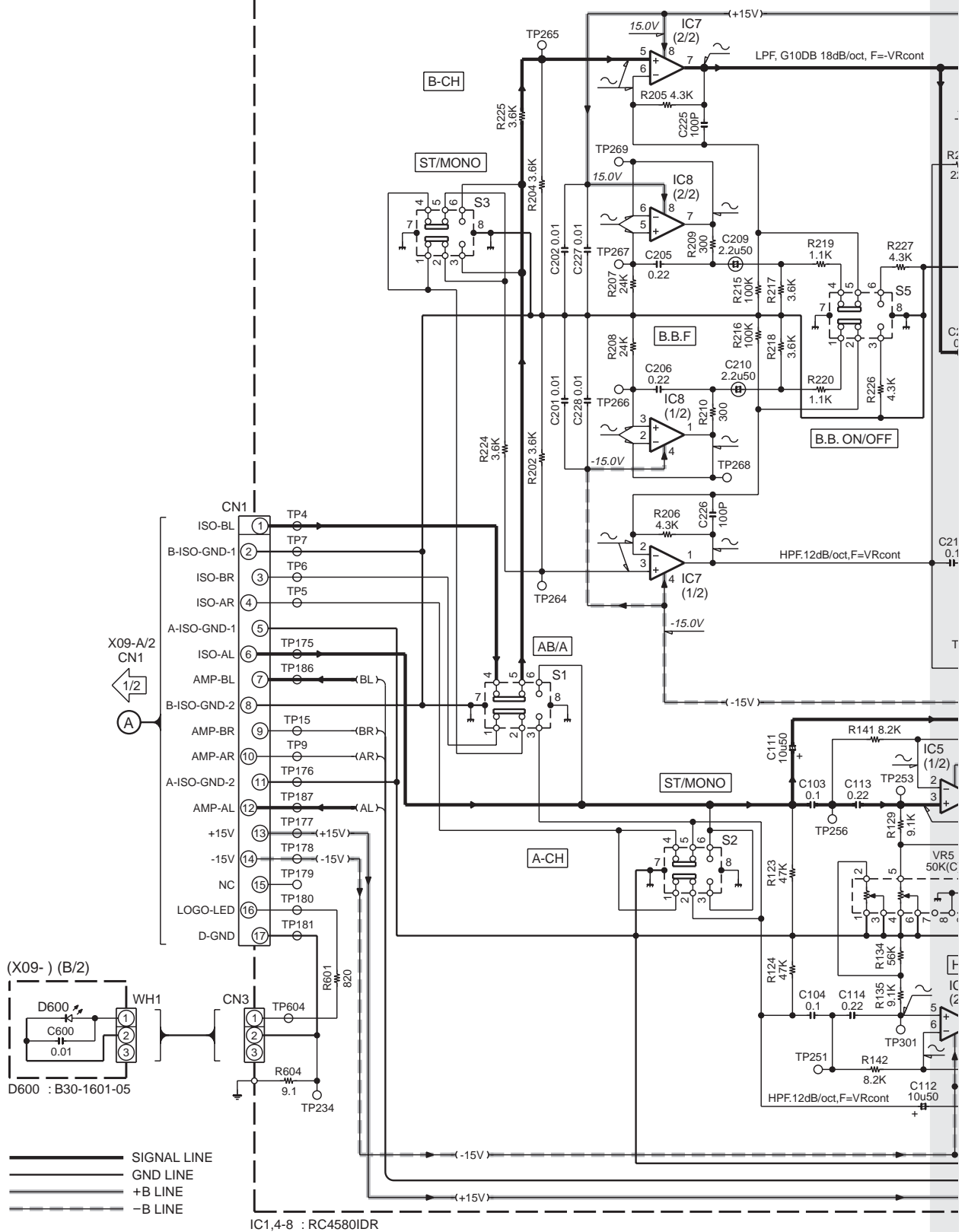


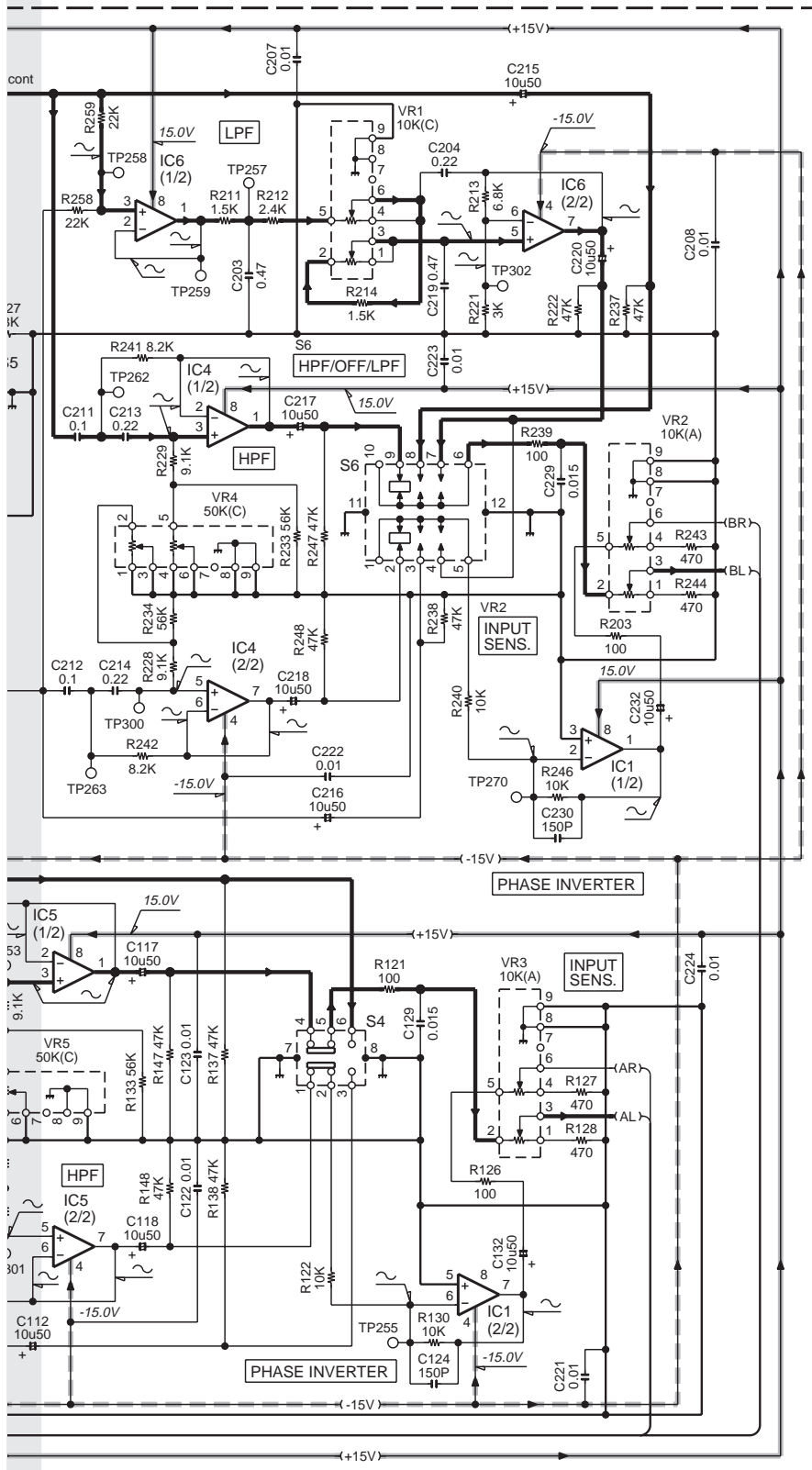
CAUTION : For continued safety, replace safety critical components only with manufacturer's recommended parts (refer to parts list).
 ⚠ Indicates safety critical components. To reduce the risk of electric shock, leakage-current or resistance measurements shall be carried out (exposed parts are acceptably insulated from the supply circuit) before the appliance is returned to the customer.

- DC voltages are as measured with a high impedance voltmeter. Values may vary slightly due to variations between individual instruments or/and units.

KAC-8402/8452

(X08-4200-10)



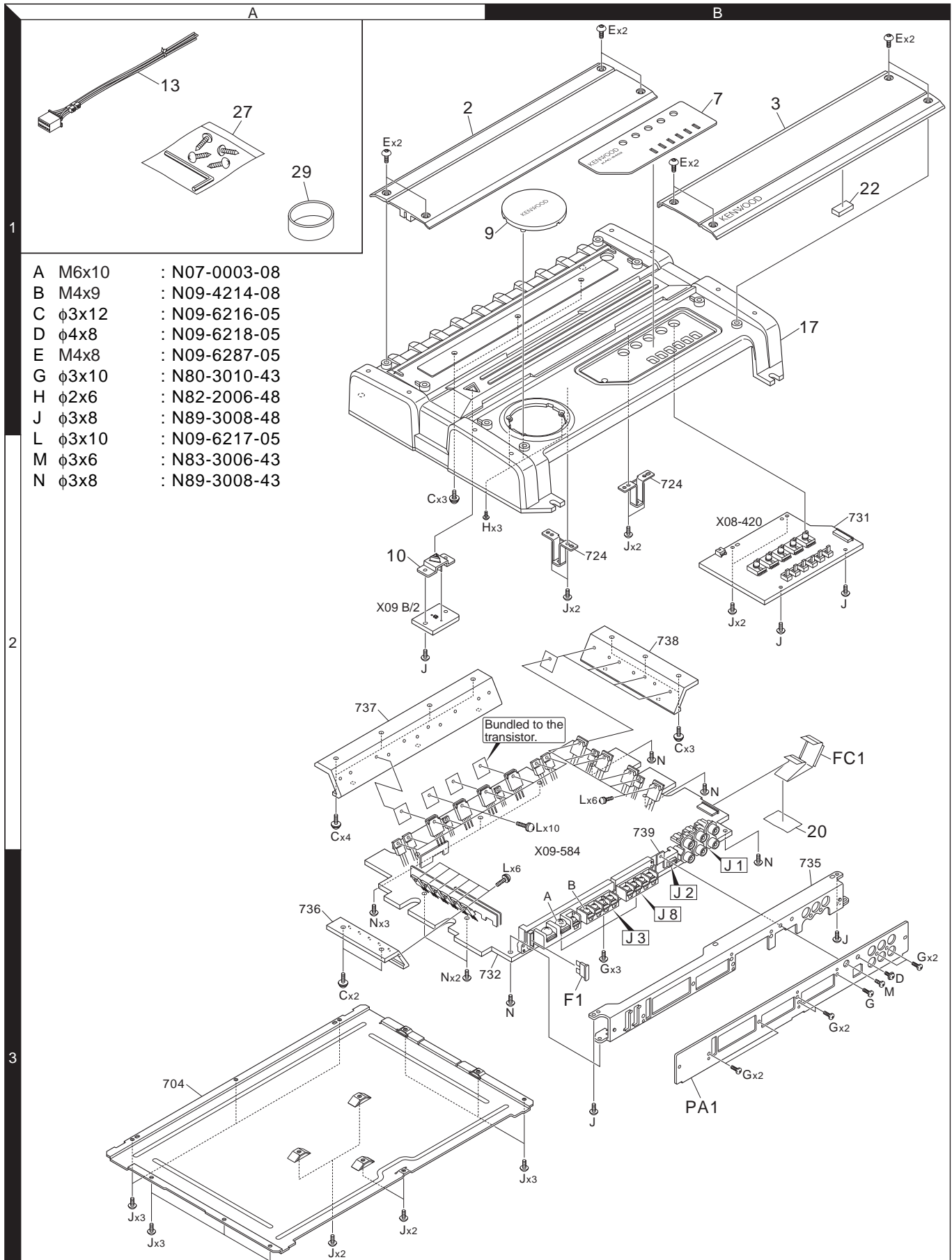


CAUTION : For continued safety, replace safety critical components only with manufacturer's recommended parts (refer to parts list).
 ⚠ Indicates safety critical components. To reduce the risk of electric shock, leakage-current or resistance measurements shall be carried out (exposed parts are acceptably insulated from the supply circuit) before the appliance is returned to the customer.

- DC voltages are as measured with a high impedance voltmeter. Values may vary slightly due to variations between individual instruments or/and units.

KAC-8402/8452 (2/2)

EXPLODED VIEW



PARTS LIST

* New parts

Parts without **Parts No.** are not supplied.

Les articles non mentionnés dans le **Parts No.** ne sont pas fournis.

Teile ohne **Parts No.** werden nicht geliefert.

Ref. No.	Add	New	Parts No.	Description	Destination	Ref. No.	Add	New	Parts No.	Description	Destination
KAC-8402/8452						C209,210			CD04AW1V2R2M	ELECTRO	2.2UF 35WV
2	1B	*	A21-4464-02	DRESSING PANEL	K	C211,212			CK73GB1C104K	CHIP C	0.10UF K
3	1B	*	A21-4469-02	DRESSING PANEL	K1	C213,214			CK73FB1C224K	CHIP C	0.22UF K
3	1B	*	A21-4470-02	DRESSING PANEL	E1M1	C215-218			CD04BJ1H100M	ELECTRO	10UF 50WV
3	1B	*	A21-4524-02	DRESSING PANEL		C219			CK73FB1C474K	CHIP C	0.47UF K
PA1	3B	*	A64-3536-02	PANEL		C220			CD04BJ1H100M	ELECTRO	10UF 50WV
7	1B	*	B03-5044-02	DRESSING PLATE	KE1M1	C221-224			CK73GB1H103K	CHIP C	0.010UF K
7	1B	*	B03-5045-02	DRESSING PLATE	K1	C225,226			CC73GCH1H101J	CHIP C	100PF J
9	1B	*	B07-3131-02	ESCUTCHEON		C227,228			CK73GB1H103K	CHIP C	0.010UF K
10	2A	*	B19-2324-03	LIGHTING BOARD		C229			CK73GB1H153K	CHIP C	0.015UF K
-		*	B46-0100-50	WARRANTY CARD		C230			CC73GCH1H151J	CHIP C	150PF J
-		*	B58-1427-04	CAUTION CARD		C232			CD04AS1C100M	ELECTRO	10UF 16WV
-		*	B64-3015-00	INSTRUCTI.MANUAL (ENG.FRE.SPA.)	KE1K1	CN1	*	E41-2278-05	FLAT CABLE CONNECTOR		
-		*	B64-3016-00	INSTR.MANUAL (GER.DUT.ITA.POR.)	E1	CN3		E41-0942-05	PIN ASSY		
-		*	B64-3017-00	INSTRUCTION MANUAL (ENG.T-CHI.)	M1	R121			RK73GB2A101J	CHIP R	100 J 1/10W
13	1A		E30-6144-05	CONNECTING CORD ASSY		R122			RK73GB2A103J	CHIP R	10K J 1/10W
FC1	2B	*	E39-0700-15	FLAT CABLE		R123,124			RK73GB2A473J	CHIP R	47K J 1/10W
17	1B	*	F01-1770-11	HEAT SINK		R126			RK73GB2A101J	CHIP R	100 J 1/10W
20	2B	*	F09-1958-04	SHEET		R127,128			RK73GB2A471J	CHIP R	470 J 1/10W
△ F1	3B	*	F52-0016-05	FUSE (BLADE TYPE) 40A		R129			RK73GB2A912J	CHIP R	9.1K J 1/10W
22	1B	*	G11-3647-04	CUSHION		R130			RK73GB2A103J	CHIP R	10K J 1/10W
-		*	H10-4932-03	POLYSTYRENE FOAMED FIXTURE		R133,134			RK73GB2A563J	CHIP R	56K J 1/10W
-		*	H25-1199-04	PROTECTION BAG		R135			RK73GB2A912J	CHIP R	9.1K J 1/10W
-		*	H25-1200-04	PROTECTION BAG (250X350X0.03)		R137,138			RK73GB2A473J	CHIP R	47K J 1/10W
-		*	H54-3405-03	ITEM CARTON CASE	K	R141,142			RK73GB2A822J	CHIP R	8.2K J 1/10W
-		*	H54-3406-03	ITEM CARTON CASE	K1	R147,148			RK73GB2A473J	CHIP R	47K J 1/10W
-		*	H54-3407-03	ITEM CARTON CASE	E1	R202			RK73GB2A362J	CHIP R	3.6K J 1/10W
-		*	H54-3408-03	ITEM CARTON CASE	M1	R203			RK73GB2A101J	CHIP R	100 J 1/10W
27	1A	*	N99-1759-05	SCREW SET		R204			RK73GB2A362J	CHIP R	3.6K J 1/10W
A	3B		N07-0003-08	SEMS M6 (Au)		R205,206			RK73GB2A432J	CHIP R	4.3K J 1/10W
B	3B		N09-4214-08	SEMS M4 (Au)		R207,208			RK73GB2A243J	CHIP R	24K J 1/10W
C	2B		N09-6216-05	TAPTITE SCREW (3X12)		R209,210			RK73GB2A301J	CHIP R	300 J 1/10W
D	3B		N09-6218-05	TAPTITE SCREW (4X8)		R211			RK73GB2A152J	CHIP R	1.5K J 1/10W
E	1B	*	N09-6287-05	DRESSED SCREW (M4X8)		R212			RK73GB2A242J	CHIP R	2.4K J 1/10W
G	3B		N80-3010-43	PAN HEAD TAPTITE SCREW		R213			RK73GB2A682J	CHIP R	6.8K J 1/10W
H	2B		N82-2006-48	BINDING HEAD TAPTITE SCREW		R214			RK73GB2A152J	CHIP R	1.5K J 1/10W
J	3B		N89-3008-48	BINDING HEAD TAPTITE SCREW		R215,216			RK73GB2A104J	CHIP R	100K J 1/10W
29	1A		W01-1606-05	ACCESSORIES		R217,218			RK73GB2A362J	CHIP R	3.6K J 1/10W
						R219,220			RK73GB2A112J	CHIP R	1.1K J 1/10W
PREAMPLIFIER UNIT (X08-4200-10)						R221			RK73GB2A302J	CHIP R	3.0K J 1/10W
C103,104			CK73GB1C104K	CHIP C		R222			RK73GB2A473J	CHIP R	47K J 1/10W
C111,112			CD04AS1C100M	ELECTRO		R224,225			RK73GB2A362J	CHIP R	3.6K J 1/10W
C113,114			CK73FB1C224K	CHIP C		R226,227			RK73GB2A432J	CHIP R	4.3K J 1/10W
C117,118			CD04BJ1H100M	ELECTRO		R228,229			RK73GB2A912J	CHIP R	9.1K J 1/10W
C122,123			CK73GB1H103K	CHIP C		R233,234			RK73GB2A563J	CHIP R	56K J 1/10W
C124			CC73GCH1H151J	CHIP C		R237,238			RK73GB2A473J	CHIP R	47K J 1/10W
C129			CK73GB1H153K	CHIP C		R239			RK73GB2A101J	CHIP R	100 J 1/10W
C132			CD04AS1C100M	ELECTRO		R240			RK73GB2A103J	CHIP R	10K J 1/10W
C201,202			CK73GB1H103K	CHIP C		R241,242			RK73GB2A822J	CHIP R	8.2K J 1/10W
C203			CK73FB1C474K	CHIP C		R243,244			RK73GB2A471J	CHIP R	470 J 1/10W
C204-206			CK73FB1C224K	CHIP C		R246			RK73GB2A103J	CHIP R	10K J 1/10W
C207,208			CK73GB1H103K	CHIP C		R247,248			RK73GB2A473J	CHIP R	47K J 1/10W
						R258,259			RK73GB2A223J	CHIP R	22K J 1/10W
						R601			RK73EB2E821J	CHIP R	820 J 1/4W

K : KAC-8452 K1 : KAC-8402 (North America)
E1 : KAC-8452 (Europe) M1 : KAC-8452 (Other Areas)

△ Indicates safety critical components.

PARTS LIST

PREAMPLIFIER UNIT (X08-4200-10)

Ref. No.	A d d	N e w	Parts No.	Description	Desti- nation
R604			RK73GB2A9R1J	CHIP R 9.1 J 1/10W	
VR1			R31-0246-05	VARIABLE RESISTOR	
VR2,3			R31-0238-05	VARIABLE RESISTOR	
VR4,5			R31-0241-05	VARIABLE RESISTOR	
W101			R92-2053-05	CHIP R 0 OHM J 1/8W	
W102			R92-1252-05	CHIP R 0 OHM J 1/16W	
W104			R92-2053-05	CHIP R 0 OHM J 1/8W	
W105,106			R92-1252-05	CHIP R 0 OHM J 1/16W	
W107,108			R92-2053-05	CHIP R 0 OHM J 1/8W	
W110			R92-2053-05	CHIP R 0 OHM J 1/8W	
W111			R92-1252-05	CHIP R 0 OHM J 1/16W	
W113			R92-2053-05	CHIP R 0 OHM J 1/8W	
W116			R92-2053-05	CHIP R 0 OHM J 1/8W	
W117			R92-1252-05	CHIP R 0 OHM J 1/16W	
W118			R92-2053-05	CHIP R 0 OHM J 1/8W	
W119			R92-1252-05	CHIP R 0 OHM J 1/16W	
W120			R92-2053-05	CHIP R 0 OHM J 1/8W	
W121,122			R92-1252-05	CHIP R 0 OHM J 1/16W	
W123			R92-2053-05	CHIP R 0 OHM J 1/8W	
W124			R92-1252-05	CHIP R 0 OHM J 1/16W	
W125-127			R92-2053-05	CHIP R 0 OHM J 1/8W	
W128,129			R92-1252-05	CHIP R 0 OHM J 1/16W	
W130-132			R92-2053-05	CHIP R 0 OHM J 1/8W	
W133,134			R92-1252-05	CHIP R 0 OHM J 1/16W	
S1-5			S62-0873-05	SLIDE SWITCH	
S6			S62-0874-05	SLIDE SWITCH	
IC1			RC4580IDR	ANALOGUE IC	
IC4-8			RC4580IDR	ANALOGUE IC	

AUDIO UNIT (X09-5840-1x)

D600			B30-1601-05	LED	
C1			C90-5557-05	ELECTRO 10UF 25WV	
C2,3		*	CD04BJ1E470M	ELECTRO 47UF 25WV	
C4,5			CD04BJ1E220M	ELECTRO 22UF 25WV	
C6,7			C90-5691-05	ELECTRO 4700UF 42WV	
C8,9			CK45FB1H152K	CERAMIC 1500PF K	
C10,11		*	CD04AY1C222M	ELECTRO 2200UF 16WV	
C13		*	C90-5563-05	ELECTRO 2.2UF 50WV	
C14			CD04BJ1H010M	ELECTRO 1.0UF 50WV	
C15		*	CD04BJ1E220M	ELECTRO 22UF 25WV	
C16			CD04BJ1H100M	ELECTRO 10UF 50WV	
C17			CK73GB1H102K	CHIP C 1000PF K	
C33,34			CK73GB1H103K	CHIP C 0.010UF K	
C100			CQ92FM1H102J	MYLAR 1000PF J	
C101,102			CK73GB1H102K	CHIP C 1000PF K	
C103,104			CD04BJ1H100M	ELECTRO 10UF 50WV	
C105,106			CC73GCH1H150J	CHIP C 15PF J	
C107			CK73GB1H103K	CHIP C 0.010UF K	
C109-112			CD04BJ1H100M	ELECTRO 10UF 50WV	
C113,114			CC73GCH1H150J	CHIP C 15PF J	
C115,116			CD04BJ1H100M	ELECTRO 10UF 50WV	
C124			CK73GB1H103K	CHIP C 0.010UF K	
C126			CK73GB1H102K	CHIP C 1000PF K	
C131,132			CC73GCH1H101J	CHIP C 100PF J	

Ref. No.	A d d	N e w	Parts No.	Description	Desti- nation
C133,134			CC73GCH1H470J	CHIP C 47PF J	
C150			CD04BJ1H100M	ELECTRO 10UF 50WV	
C156			CK73GB1H471K	CHIP C 470PF K	
C171			CC73GCH1H271J	CHIP C 270PF J	
C201,202			CD04BJ1H100M	ELECTRO 10UF 50WV	
C203,204			CK73GB1H681K	CHIP C 680PF K	
C205,206			CQ92FM1H472J	MYLAR 4700PF J	
C207,208			CD04BJ1E470M	ELECTRO 47UF 25WV	
C209,210			CC45FSL1H100D	CERAMIC 10PF D	
C211,212			CC45FSL1H101J	CERAMIC 100PF J	
C213,214			CC45FSL1H121J	CERAMIC 120PF J	
C215,216			CD04BJ1H100M	ELECTRO 10UF 50WV	
C217,218			CC73GCH1H470J	CHIP C 47PF J	
C219-222			CK73GB1H681K	CHIP C 680PF K	
C250,251			CQ92FM1H473J	MYLAR 0.047UF J	
C261		*	CD04BJ1H221M	ELECTRO 220UF 50WV	
C263,264			CC45FSL1H221J	CERAMIC 220PF J	
C300			CQ92FM1H102J	MYLAR 1000PF J	
C301,302			CK73GB1H102K	CHIP C 1000PF K	
C303,304			CD04BJ1H100M	ELECTRO 10UF 50WV	
C305,306			CC73GCH1H150J	CHIP C 15PF J	
C309-312			CD04BJ1H100M	ELECTRO 10UF 50WV	
C313,314			CC73GCH1H150J	CHIP C 15PF J	
C315,316		*	CD04BJ1E220M	ELECTRO 22UF 25WV	
C324			CK73GB1H103K	CHIP C 0.010UF K	
C326			CK73GB1H102K	CHIP C 1000PF K	
C331,332			CC73GCH1H101J	CHIP C 100PF J	
C333,334			CC73GCH1H470J	CHIP C 47PF J	
C337,338			CK73GB1H103K	CHIP C 0.010UF K	
C350			CD04BJ1H100M	ELECTRO 10UF 50WV	
C356			CK73GB1H471K	CHIP C 470PF K	
C371			CC73GCH1H271J	CHIP C 270PF J	
C401,402			CD04BJ1H100M	ELECTRO 10UF 50WV	
C403,404			CK73GB1H681K	CHIP C 680PF K	
C405,406			CQ92FM1H472J	MYLAR 4700PF J	
C407,408			CD04BJ1E470M	ELECTRO 47UF 25WV	
C409,410			CC45FSL1H100D	CERAMIC 10PF D	
C411,412			CC45FSL1H101J	CERAMIC 100PF J	
C413,414			CC45FSL1H121J	CERAMIC 120PF J	
C415,416			CD04BJ1H100M	ELECTRO 10UF 50WV	
C417,418			CC73GCH1H470J	CHIP C 47PF J	
C419-422			CK73GB1H681K	CHIP C 680PF K	
C450,451			CQ92FM1H473J	MYLAR 0.047UF J	
C461		*	CD04BJ1H221M	ELECTRO 220UF 50WV	
C463,464			CC45FSL1H221J	CERAMIC 220PF J	
C600		*	CK73GB1H103K	CHIP C 0.010UF K	
C601			CD04BJ1E330M	ELECTRO 33UF 25WV	
C602,603			CD04BJ1H100M	ELECTRO 10UF 50WV	
C604			CD04BJ1H010M	ELECTRO 1.0UF 50WV	
C605			CD04BJ1H100M	ELECTRO 10UF 50WV	
C606		*	CD04BJ0J101M	ELECTRO 100UF 6.3WV	
C607			CK73GB1H103K	CHIP C 0.010UF K	
C608		*	CD04BJ0J101M	ELECTRO 100UF 6.3WV	
C609,610			CK73GB1H103K	CHIP C 0.010UF K	
C611,612			CD04BJ1H100M	ELECTRO 10UF 50WV	

K : KAC-8452 K1 : KAC-8402 (North America)
E1 : KAC-8452 (Europe) M1 : KAC-8452 (Other Areas)

△ Indicates safety critical components.

PARTS LIST

AUDIO UNIT (X09-5840-1x)

Ref. No.	Add	New	Parts No.	Description	Destination	Ref. No.	Add	New	Parts No.	Description	Destination
C616			CD04BJ1H100M	ELECTRO 10UF 50WV		R172			RK73GB2A102J	CHIP R 1.0K J 1/10W	
C617			CK73GB1C104K	CHIP C 0.10UF K		R194-196			RK73GB2A222J	CHIP R 2.2K J 1/10W	
C902			CK73GB1H103K	CHIP C 0.010UF K		R198			RD14BB2C301J	RD 300 J 1/6W	
C903			CD04BJ1H100M	ELECTRO 10UF 50WV		R201			RK73FB2B302J	CHIP R 3.0K J 1/8W	
C906-909			CC45FSL1H471J	CERAMIC 470PF J		R203,204	*		RK73FB2B433J	CHIP R 43K J 1/8W	
C910-913			CC73GCH1H030C	CHIP C 3.0PF C		R205-208			RK73FB2B102J	CHIP R 1.0K J 1/8W	
C922		*	CD04AY1C222M	ELECTRO 2200UF 16WV	KE1M1	R209,210			RK73FB2B101J	CHIP R 100 J 1/8W	
CN1		*	E41-2278-05	FLAT CABLE CONNECTOR		R211,212			RK73FB2B102J	CHIP R 1.0K J 1/8W	
J1		*	E63-0922-05	PIN JACK	KE1M1	R213,214	*		RK73FB2B433J	CHIP R 43K J 1/8W	
J1		*	E63-0927-05	PIN JACK	K1	R215-218			RK73FB2B151J	CHIP R 150 J 1/8W	
J2		*	E58-1031-05	RECTANGULAR RECEPTACLE		R219-222			RD14BB2C432J	RD 4.3K J 1/6W	
J3			E70-0838-05	SCREW TERMINAL BOARD	KE1M1	R223,224			RK73FB2B151J	CHIP R 150 J 1/8W	
J3		*	E70-0843-05	SCREW TERMINAL BOARD	K1	R225,226			RK73FB2B511J	CHIP R 510 J 1/8W	
J8			E70-0840-05	SCREW TERMINAL BOARD	KE1M1	R227,228			RK73GB2A433J	CHIP R 43K J 1/10W	
J8		*	E70-0844-05	SCREW TERMINAL BOARD	K1	R229-232			RK73FB2B102J	CHIP R 1.0K J 1/8W	
WH1		*	E39-0710-05	WIRING HARNESS		R233-236			RD14NB2E101J	RD 100 J 1/4W	
L1,2			L33-1937-05	CHOKO COIL	K1	R237-240			RK73FB2B681J	CHIP R 680 J 1/8W	
L3		*	L19-0772-05	TRANSFORMER FOR CONVERTER		R241-244			RD14NB2E4R7J	RD 4.7 J 1/4W	
L4		*	L33-2256-05	CHOKO COIL	KE1M1	R245-248			R92-0205-05	METAL-PLATE 0.1 K 2W	
G	3B		N80-3010-43	PAN HEAD TAPTITE SCREW		R251	*		RK73FB2B330J	CHIP R 33 J 1/8W	
L	2B		N09-6217-05	TAPTITE SCREW		R255,256			RK73FB2B682J	CHIP R 6.8K J 1/8W	
M	3B	*	N83-3006-43	PAN HEAD TAPTITE SCREW		R257,258			RK73FB2B182J	CHIP R 1.8K J 1/8W	
N	2B		N89-3008-43	BINDING HEAD TAPTITE SCREW		R259			RD14NB2E221J	RD 220 J 1/4W	
R1,2			RD14BB2C822J	RD 8.2K J 1/6W		R260	*		RK73FB2B330J	CHIP R 33 J 1/8W	
R3,4			RK73FB2B183J	CHIP R 18K J 1/8W		R261			RD14NB2E100J	RD 10 J 1/4W	
R5,6			RD14DB2H100J	SMALL-RD 10 J 1/2W		R262			RD14NB2E221J	RD 220 J 1/4W	
R7,8			RK73GB2A472J	CHIP R 4.7K J 1/10W		R263,264			RK73FB2B152J	CHIP R 1.5K J 1/8W	
R9,10			RK73GB2A150J	CHIP R 15 J 1/10W		R265,266			RK73GB2A103J	CHIP R 10K J 1/10W	
R11,12			RK73GB2A560J	CHIP R 56 J 1/10W		R270,271			RD14DB2H100J	SMALL-RD 10 J 1/2W	
R13,14			RK73GB2A152J	CHIP R 1.5K J 1/10W		R273,274			RK73GB2A102J	CHIP R 1.0K J 1/10W	
R15,16			RK73GB2A273J	CHIP R 27K J 1/10W		R280			RK73FB2B302J	CHIP R 3.0K J 1/8W	
R17			RK73GB2A103J	CHIP R 10K J 1/10W		R282			RK73GB2A103J	CHIP R 10K J 1/10W	
R18			RK73GB2A334J	CHIP R 330K J 1/10W		R284			RK73GB2A103J	CHIP R 10K J 1/10W	
R19			RK73GB2A103J	CHIP R 10K J 1/10W		R285			RK73GB2A622J	CHIP R 6.2K J 1/10W	
R20			RK73GB2A913J	CHIP R 91K J 1/10W		R287			RK73GB2A622J	CHIP R 6.2K J 1/10W	
R21			RK73GB2A103J	CHIP R 10K J 1/10W	KE1M1	R300-302			RD14BB2C102J	RD 1.0K J 1/6W	
R21,22			RK73GB2A103J	CHIP R 10K J 1/10W	K1	R303-306			RK73GB2A103J	CHIP R 10K J 1/10W	
R22			RK73GB2A682J	CHIP R 6.8K J 1/10W	KE1M1	R307,308			RK73GB2A123J	CHIP R 12K J 1/10W	
R23			RK73GB2A102J	CHIP R 1.0K J 1/10W		R309-312			RN73GH1J103D	CHIP R 10K D 1/16W	
R24			RK73GB2A153J	CHIP R 15K J 1/10W	K1	R313-316			RK73GB2A823J	CHIP R 82K J 1/10W	
R24			RK73GB2A163J	CHIP R 16K J 1/10W	KE1M1	R317-320			RK73EB2E513J	CHIP R 51K J 1/4W	
R25			RK73GB2A104J	CHIP R 100K J 1/10W		R321,322			RK73EB2E222J	CHIP R 2.2K J 1/4W	
R100			RK73EB2E102J	CHIP R 1.0K J 1/4W		R323-326			RN73GH1J103D	CHIP R 10K D 1/16W	
R101,102			RD14BB2C102J	RD 1.0K J 1/6W		R370			RK73GB2A102J	CHIP R 1.0K J 1/10W	
R103-106			RK73GB2A103J	CHIP R 10K J 1/10W		R371			RD14BB2C8R2J	RD 8.2 J 1/6W	
R107,108			RK73GB2A123J	CHIP R 12K J 1/10W		R372			RK73GB2A102J	CHIP R 1.0K J 1/10W	
R109-112			RN73GH1J103D	CHIP R 10K D 1/16W		R394-396			RK73GB2A222J	CHIP R 2.2K J 1/10W	
R113-116			RK73GB2A823J	CHIP R 82K J 1/10W		R398			RD14BB2C301J	RD 300 J 1/6W	
R117-120			RK73EB2E513J	CHIP R 51K J 1/4W		R401			RK73FB2B302J	CHIP R 3.0K J 1/8W	
R121,122			RK73EB2E222J	CHIP R 2.2K J 1/4W		R403,404	*		RK73FB2B433J	CHIP R 43K J 1/8W	
R123-126			RN73GH1J103D	CHIP R 10K D 1/16W		R405-408			RK73FB2B102J	CHIP R 1.0K J 1/8W	
R170			RK73GB2A102J	CHIP R 1.0K J 1/10W		R409,410			RK73FB2B101J	CHIP R 100 J 1/8W	
R171			RD14BB2C8R2J	RD 8.2 J 1/6W		R411,412			RK73FB2B102J	CHIP R 1.0K J 1/8W	
						R413,414	*		RK73FB2B433J	CHIP R 43K J 1/8W	
						R416-418			RK73FB2B151J	CHIP R 150 J 1/8W	

K : KAC-8452 K1 : KAC-8402 (North America)
 E1 : KAC-8452 (Europe) M1 : KAC-8452 (Other Areas)

△ Indicates safety critical components.

PARTS LIST

AUDIO UNIT (X09-5840-1x)

Ref. No.	A d d	N e w	Parts No.	Description	Desti- nation
R419,420			RD14BB2C432J	RD 4.3K J 1/6W	
R421			RK73FB2B182J	CHIP R 1.8K J 1/8W	
R422			RD14BB2C432J	RD 4.3K J 1/6W	
R423,424			RK73FB2B151J	CHIP R 150 J 1/8W	
R425,426			RK73FB2B511J	CHIP R 510 J 1/8W	
R427,428			RK73GB2A433J	CHIP R 43K J 1/10W	
R429-432			RK73FB2B102J	CHIP R 1.0K J 1/8W	
R433-436			RD14NB2E101J	RD 100 J 1/4W	
R437-440			RK73FB2B681J	CHIP R 680 J 1/8W	
R441-444			RD14NB2E4R7J	RD 4.7 J 1/4W	
R445-448			R92-0205-05	METAL-PLATE 0.1 K 2W	
R451,452			RK73FB2B682J	CHIP R 6.8K J 1/8W	
R453			RK73FB2B151J	CHIP R 150 J 1/8W	
R454			RD14NB2E221J	RD 220 J 1/4W	
R455			RD14BB2C432J	RD 4.3K J 1/6W	
R457		*	RK73FB2B330J	CHIP R 33 J 1/8W	
R458			RK73FB2B182J	CHIP R 1.8K J 1/8W	
R459			RD14NB2E221J	RD 220 J 1/4W	
R460		*	RK73FB2B330J	CHIP R 33 J 1/8W	
R461			RD14NB2E100J	RD 10 J 1/4W	
R463,464			RK73FB2B152J	CHIP R 1.5K J 1/8W	
R465,466			RK73GB2A103J	CHIP R 10K J 1/10W	
R470,471			RD14DB2H100J	SMALL-RD 10 J 1/2W	
R473,474			RK73GB2A102J	CHIP R 1.0K J 1/10W	
R480			RK73FB2B302J	CHIP R 3.0K J 1/8W	
R481			RK73GB2A103J	CHIP R 10K J 1/10W	
R484			RK73GB2A103J	CHIP R 10K J 1/10W	
R486			RK73GB2A622J	CHIP R 6.2K J 1/10W	
R488			RK73GB2A622J	CHIP R 6.2K J 1/10W	
R602			RK73GB2A103J	CHIP R 10K J 1/10W	
R603			RD14BB2C101J	RD 100 J 1/6W	
R604			RK73GB2A103J	CHIP R 10K J 1/10W	
R605			RK73GB2A333J	CHIP R 33K J 1/10W	
R606			RK73GB2A103J	CHIP R 10K J 1/10W	
R607			RK73GB2A472J	CHIP R 4.7K J 1/10W	
R608			RD14BB2E332J	RD 3.3K J 1/4W	
R609			RK73GB2A333J	CHIP R 33K J 1/10W	
R610			RK73GB2A303J	CHIP R 30K J 1/10W	
R611,612			RK73GB2A362J	CHIP R 3.6K J 1/10W	
R613			RK73GB2A152J	CHIP R 1.5K J 1/10W	
R614			RK73GB2A332J	CHIP R 3.3K J 1/10W	
R615,616			RD14BB2C392J	RD 3.9K J 1/6W	
R617			RK73GB2A333J	CHIP R 33K J 1/10W	
R618			RK73GB2A473J	CHIP R 47K J 1/10W	
R620-623			RK73GB2A473J	CHIP R 47K J 1/10W	
R624			RK73GB2A104J	CHIP R 100K J 1/10W	
R625			RK73GB2A152J	CHIP R 1.5K J 1/10W	
R627			RK73GB2A103J	CHIP R 10K J 1/10W	
R628			RK73GB2A222J	CHIP R 2.2K J 1/10W	
R629			RK73GB2A682J	CHIP R 6.8K J 1/10W	
R632			RK73GB2A473J	CHIP R 47K J 1/10W	
R633,634			RK73GB2A123J	CHIP R 12K J 1/10W	
R635			RK73GB2A622J	CHIP R 6.2K J 1/10W	
R636			RK73GB2A222J	CHIP R 2.2K J 1/10W	
R637			RK73GB2A103J	CHIP R 10K J 1/10W	

Ref. No.	A d d	N e w	Parts No.	Description	Desti- nation
R638-641			RK73GB2A154J	CHIP R 150K J 1/10W	
R642			RK73GB2A912J	CHIP R 9.1K J 1/10W	
R643			RK73GB2A104J	CHIP R 100K J 1/10W	
R644			RK73GB2A101J	CHIP R 100 J 1/10W	
R648			RK73GB2A102J	CHIP R 1.0K J 1/10W	
R649			RK73GB2A473J	CHIP R 47K J 1/10W	
R654-657			RK73GB2A273J	CHIP R 27K J 1/10W	
R658			RK73GB2A512J	CHIP R 5.1K J 1/10W	
R659			RK73GB2A104J	CHIP R 100K J 1/10W	
R660			RK73GB2A154J	CHIP R 150K J 1/10W	
R661,662			RK73GB2A220J	CHIP R 22 J 1/10W	
R663-665			RK73GB2A103J	CHIP R 10K J 1/10W	
R666			RK73GB2A153J	CHIP R 15K J 1/10W	
R667			RK73GB2A103J	CHIP R 10K J 1/10W	
R668			RK73GB2A153J	CHIP R 15K J 1/10W	
R669			RK73GB2A273J	CHIP R 27K J 1/10W	
R670			RK73GB2A562J	CHIP R 5.6K J 1/10W	
R671			RK73GB2A563J	CHIP R 56K J 1/10W	
R902			RK73GB2A102J	CHIP R 1.0K J 1/10W	
R903			RK73GB2A473J	CHIP R 47K J 1/10W	
R904			RK73GB2A104J	CHIP R 100K J 1/10W	
R905			RK73GB2A303J	CHIP R 30K J 1/10W	
R906			RK73GB2A473J	CHIP R 47K J 1/10W	
R907			RK73GB2A104J	CHIP R 100K J 1/10W	
VR1-4		*	R32-0294-05	SEMI FIXED VARIABLE RESISTOR	
W501-526			R92-2053-05	CHIP R 0 OHM J 1/8W	
W527			R92-1252-05	CHIP R 0 OHM J 1/16W	
W528-530			R92-2053-05	CHIP R 0 OHM J 1/8W	
W531			R92-1252-05	CHIP R 0 OHM J 1/16W	
W532			R92-2053-05	CHIP R 0 OHM J 1/8W	
W533			R92-1252-05	CHIP R 0 OHM J 1/16W	
W534-542			R92-2053-05	CHIP R 0 OHM J 1/8W	
W543-546			R92-1252-05	CHIP R 0 OHM J 1/16W	
W547-555			R92-2053-05	CHIP R 0 OHM J 1/8W	
W556,557			R92-1252-05	CHIP R 0 OHM J 1/16W	
W558,559			R92-2053-05	CHIP R 0 OHM J 1/8W	
W560			R92-1252-05	CHIP R 0 OHM J 1/16W	
W561-563			R92-2053-05	CHIP R 0 OHM J 1/8W	
W564			R92-1252-05	CHIP R 0 OHM J 1/16W	
W565-573			R92-2053-05	CHIP R 0 OHM J 1/8W	
W574-576			R92-1252-05	CHIP R 0 OHM J 1/16W	
W577			R92-2053-05	CHIP R 0 OHM J 1/8W	
D1,2			RM4ZLF-J1NF	DIODE	
D3,4			02DZ16F-Y	ZENER DIODE	
D5			FCH10A20	DIODE	
D6			FRH10A20	DIODE	
D7-9			1SS133	DIODE	
D10			LM1MA142WK-G	DIODE	
D100			UMZ6.8N	ZENER DIODE	
D101			LM1MA142WK-G	DIODE	
D102			LM1MA142WA-G	DIODE	
D107			UMZ6.8N	ZENER DIODE	
D152			1SS133	DIODE	
D203-206			1SS133	DIODE	

K : KAC-8452 K1 : KAC-8402 (North America)
E1 : KAC-8452 (Europe) M1 : KAC-8452 (Other Areas)

△ Indicates safety critical components.

PARTS LIST

AUDIO UNIT (X09-5840-1x)

Ref. No.	Add	New	Parts No.	Description	Destination	Ref. No.	Add	New	Parts No.	Description	Destination
D229			LM1MA142WA-G	DIODE		Q223		*	2SC4468NF	TRANSISTOR	
D251			1SS133	DIODE		Q225		*	2SA1695NF	TRANSISTOR	
D253			LM1MA142WK-G	DIODE		Q241,242			2SC4081	TRANSISTOR	
D254			LM1MA142WA-G	DIODE		Q280			2SC4081	TRANSISTOR	
D255			LM1MA142WK-G	DIODE		Q282			2SC4081	TRANSISTOR	
D260,261			1SS133	DIODE		Q401-404			2SA992-A(F,E)	TRANSISTOR	
D295			LM1MA142WA-G	DIODE		Q405-408			2SC1845-A(F,E)	TRANSISTOR	
D300			UMZ6.8N	ZENER DIODE		Q409,410			2SA992-A(F,E)	TRANSISTOR	
D301			LM1MA142WK-G	DIODE		Q411,412		*	2SC3419(Y)-F	TRANSISTOR	
D302			LM1MA142WA-G	DIODE		Q415,416			2SC1845-A(F,E)	TRANSISTOR	
D403-405			1SS133	DIODE		Q417,418			2SA992-A(F,E)	TRANSISTOR	
D408			1SS133	DIODE		Q419,420		*	2SC1627A-F	TRANSISTOR	
D430			LM1MA142WA-G	DIODE		Q421,422		*	2SA817A-F	TRANSISTOR	
D457,458			1SS133	DIODE		Q423,424		*	2SC4468NF	TRANSISTOR	
D459			LM1MA142WK-G	DIODE		Q425,426		*	2SA1695NF	TRANSISTOR	
D460			LM1MA142WA-G	DIODE		Q443,444			2SC4081	TRANSISTOR	
D461			LM1MA142WK-G	DIODE		Q481,482			2SC4081	TRANSISTOR	
D462,463			1SS133	DIODE		Q601			2SC1845-A(F,E)	TRANSISTOR	
D495			LM1MA142WA-G	DIODE		Q602			2SC4081	TRANSISTOR	
D601-603			1SS133	DIODE		Q603			2SA1576A	TRANSISTOR	
D604		*	02DZ10F-Y	ZENER DIODE		Q604			2SB1241	TRANSISTOR	
D605			1SS133	DIODE		Q605,606			2SC4081	TRANSISTOR	
D606		*	02DZ15F-Y	ZENER DIODE		Q608			DTC114EUA	DIGITAL TRANSISTOR	
D607			02DZ6.8F-Y	ZENER DIODE		Q610-613			2SC4081	TRANSISTOR	
D609,610			1SS133	DIODE		Q614,615			2SA1576A	TRANSISTOR	
D613			1SS133	DIODE		Q616			2SC4081	TRANSISTOR	
D614		*	02DZ10F-Y	ZENER DIODE		Q617			2SA1576A	TRANSISTOR	
D615,616			1SS133	DIODE		Q618			2SC4081	TRANSISTOR	
D617,618			LM1MA142WK-G	DIODE		Q619			DTA114EUA	DIGITAL TRANSISTOR	
D619			1SS355	DIODE		Q620			DTC114EUA	DIGITAL TRANSISTOR	
IC1,2			BA14741F	ANALOGUE IC		Q621-624			2SA992-A(F,E)	TRANSISTOR	
IC4		*	TL494IDR	ANALOGUE IC		Q625-628			DTC114EUA	DIGITAL TRANSISTOR	
IC6			RC4580IDR	ANALOGUE IC		TH601-605			NT732ATTD103J	THERMISTOR	
Q1			2SD2012-F	TRANSISTOR							
Q2			2SB1375-F	TRANSISTOR							
Q3-8			2SK3662-F	FET	KE1M1						
Q4,5			2SK3662-F	FET	K1						
Q7,8			2SK3662-F	FET	K1						
Q9			2SC4097	TRANSISTOR							
Q10,11			2SA1577	TRANSISTOR							
Q12			2SC4097	TRANSISTOR							
Q13,14			DTA114EUA	DIGITAL TRANSISTOR							
Q201-204			2SA992-A(F,E)	TRANSISTOR							
Q205-208			2SC1845-A(F,E)	TRANSISTOR							
Q209,210			2SA992-A(F,E)	TRANSISTOR							
Q211		*	2SC3419(Y)-F	TRANSISTOR							
Q212		*	2SC1627A-F	TRANSISTOR							
Q213		*	2SC3419(Y)-F	TRANSISTOR							
Q214		*	2SA817A-F	TRANSISTOR							
Q215,216			2SC1845-A(F,E)	TRANSISTOR							
Q217,218			2SA992-A(F,E)	TRANSISTOR							
Q219		*	2SC1627A-F	TRANSISTOR							
Q220		*	2SC4468NF	TRANSISTOR							
Q221		*	2SA817A-F	TRANSISTOR							
Q222		*	2SA1695NF	TRANSISTOR							

K : KAC-8452 K1 : KAC-8402 (North America)
 E1 : KAC-8452 (Europe) M1 : KAC-8452 (Other Areas)

△ Indicates safety critical components.

KAC-8402/8452

SPECIFICATIONS

Audio Section

Max Power Output

KAC-8452	800W
KAC-8402	720W

Rated Power Output (+B=14.4V)

Normal (4Ω) (20Hz~20kHz, 0.08% THD)

KAC-8452	70W x 4
KAC-8402	60W x 4

Normal (4Ω) (DIN : 45324, +B=14.4V)

KAC-8452	70W x 4
KAC-8402	60W x 4

Normal (2Ω) (1kHz, 0.8% THD)

KAC-8452	100W x 4
KAC-8402	90W x 4

Bridged (4Ω) (1kHz, 0.8% THD)

KAC-8452	200W x 2
KAC-8402	180W x 2

Frequency Response (+0, -3dB) 5Hz~50kHz

Sensitivity (rated output)

MAX	0.2V
MIN	5.0V

Input Impedance 10kΩ

Signal to Noise Ratio ≤100dB

Low Pass Filter Frequency (18dB/oct.) (B channel)

..... 50~200Hz (variable)

High Pass Filter Frequency (12dB/oct.) ... 50~200Hz (variable)

Bass Boost Circuit (90Hz) (B channel) +6dB

General

Operating Voltage 14.4V (11~16V allowable)

Current Consumption 40A

Installation Size (W x H x D) 380 x 61 x 286mm

Weight 5.8kg

KENWOOD follows a policy of continuous advancements in development. For this reason specifications may be changed without notice.

Installation

